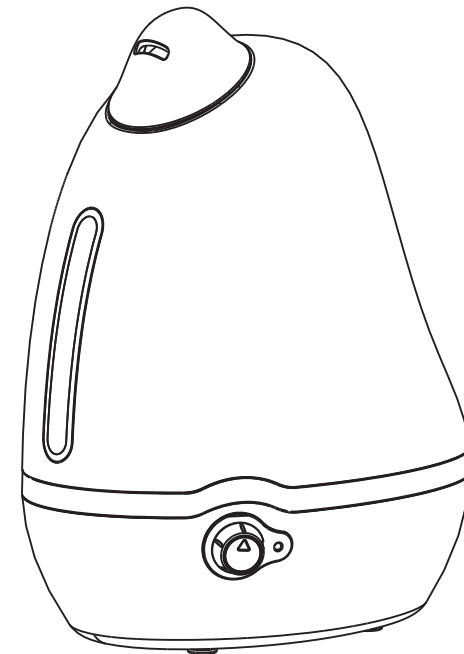




HOME SPA

DOLPHIN HUMIDIFIER
USER MANUAL



This product is used for household purpose only.

CONTENTS

1. Introduction
2. Safety Instructions
3. Specification
4. Appliance description
5. In the box
6. Filling of tank with water
7. Appliance operation
8. Cleaning and maintenance
9. Trouble Shooting
10. Transportation and Storage
11. Disposal

Dear customer!

Thank you for purchasing Home Spa Dolphin Humidifier. Please, read this instruction manual carefully prior using the product!

1. INTRODUCTION

Home Spa Humidifier is ideal to be used in Living Rooms. It neutralizes the dryness & harmful particles present in the air to reduce the possibility of airborne conditions arising from them. It Purifies Air, Neutralizes Static & reduces Inflammation and skin Allergies. Its ideal for use in Areas where Air Conditioners are present to prevent Air Dryness. When used with essential oils it adds to the charm of your living space & improves the quality of air surrounding you and your loved ones. It relieves stress & soothes mind.

2. SAFETY INSTRUCTIONS

Please read the instruction manual carefully prior using the product.

While using the appliance, it is necessary to observe some precautions. Improper operation may result in personal injury to the user or other people, as well as damage to property.

Humidifier is designed to work in habitable rooms with observation of the stated operating conditions. Using of the humidifier not for its intended purpose may create situations dangerous to life and health. The electric appliance, while in operation, should be under supervision, especially if it is used in a room with children.

The appliance is not intended for use by persons (including children) with physical, sensory or mental disabilities, or having insufficient experience and knowledge, if they are not under supervision and have not received instructions for use of the appliance from a person responsible for their safety. Please, make sure that children do not play with the appliance.

Use the appliance only in accordance with the user manual. Never use the humidifier with a damaged power cord or plug and if the humidifier is broken or damaged by falling or in other circumstances.

It should be operated only in the fully assembled condition. To avoid a burn, do not touch the membrane of the operating humidifier (for ultrasonic models). High frequency of oscillations results in heating of the membrane.

⚠ NOTE:

High-frequency oscillations of the ultrasonic humidifier membrane are noiseless and safe for people and pets.

To avoid the electric shock, the damaged power cord should be replaced only in authorized service centers by qualified specialists.

To avoid the electric shock, do not place the power cord near heating appliances and inflammable or combustible materials.

To avoid traumas and property damage, do not try to repair the humidifier by yourself.

Unplug the humidifier in the following cases:

before discharge or filling of a tank with water; before cleaning and maintenance; before assembling/disassembling of elements; before displacement of the humidifier.

- Install the humidifier on flat dry surface. Outgoing steam may damage exposed surfaces.
- Do not install the humidifier on the floor, as well as in close proximity to heating appliances, walls, furniture and other objects.
- The manufacturer and suppliers are not responsible for damages caused by incorrect position of the humidifier.
- The humidifier should be installed on a rise – e.g. on a table, pedestal, etc.
- Never fill the water in the humidifier through a diffuser.
- Do not immerse the humidifier in water or other liquids.
- Do not install the humidifier in a passage or in other places, where it can be touched, overturned, etc.

- If the humidifier is not in use, unplug it.
- Do not lay a power cable under a carpet or other objects. While placing the humidifier, be careful that you do not touch the power cable by accident.
- Do not use the humidifier in damp rooms.
- Prevent the ingress of foreign objects into the humidifier.
- Do not block an air intake and the diffuser with foreign objects.
- Do not sit or stand on the humidifier and do not put heavy objects on it.
- To avoid the damage of the humidifier, do not mix the water used for humidification with essential oils, preservation agents, flavoring materials and other foreign substances.
- The manufacturer and vendor are not responsible for damages of the humidifier caused by non fulfillment of this requirement.
- While unplugging the humidifier, do not pull the power cable and do not touch it with wet hands.

3. SPECIFICATION

Table 1

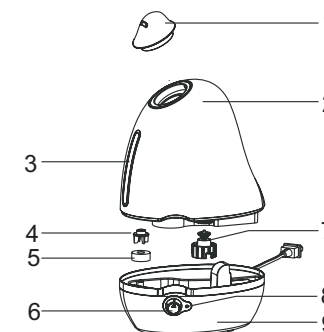
Specifications	UoM	Value
Humidification capacity	ml/h	280
Power supply	V/Hz	220~/50
Water tank	L	2.0
Rater power consumption	W	25
Nominal current	A	0.11
Moisture protection class rating		IPX0
Electrical protection class rating		II
Device dimensions	mm	206X145X265
Net weight	kg	0.74
Recommended floor space	m ²	20-25

The manufacturer reserves the right to change the set-list of the device (including liquid and powder components) for different supplies without prior notice. The changes either in no way influence the basic technical parameters of the device or may improve them, and also not violate the legislation or quality standards of the countries of manufacture, transit and selling. The changes in the set-list may result in changing of the weight and dimensions of

the device, but not more than by +/- 5-20% (depending on the product category).

4. APPLIANCE DESCRIPTION

1. Water outlet
2. Water tank
3. Water scale window
4. Float holder
5. Float
6. Knob
7. Water inlet
8. Indicative light
9. Base



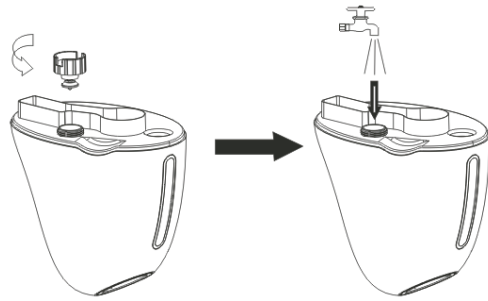
5. IN THE BOX

1. Air humidifier – 1
2. Manual and warranty card – 1
3. Package – 1

6. FILLING OF TANK WITH WATER

Always unplug the unit before removing the water tank. Do not touch the water in the base during operation.

- Remove the water tank from the base and unscrew the water tank cap.
- Make sure that no foreign objects are in the water tank.
- Fill the tank with clean, cold water from the tap. Close the cap of the water tank securely; place the water tank onto the base.
- Do not pour water into the mist outlet of the appliance.
- Insert the plug into the socket and switch on the appliance using the on/off dial.



7. APPLIANCE OPERATION

Connect to power & turn the knob "ON". The product will make beep sound indicating that it is on. Red light indicates lack of water. Turn off & fill water. Adjust the frequency of mist by adjusting the knob. Do not move appliance in working state. Appliance should be moved as a whole.

8. CLEANING AND MAINTENANCE

- Always unplug the unit before removing the water tank.
- Do not touch the water in the base during operation!
- Caution-risk of electric shock and damage to the product!
- Switch off the appliance and unplug it from the socket before cleaning it.
Clean the water tank and the base regularly. Use water only, no detergents.

8. TROUBLESHOOTING

In case of emergency, please, use the troubleshooting methods shown in tables. If it is impossible to solve problem with these methods, contact our customer care.

Table 2

Problem	Possible cause	Remedy
Poor atomizing (insufficient capacity)	The unit is operating in the minimized mode (low atomizing frequency)	There is no problem. If you need to switch to the intense mode of operation, turn the regulator handle all the way to the right.
	The atomizer is clogged	Clean the atomizer.
	Temperature of water in the tank is too low	Set maximum capacity. The diffuser's capacity will go up after a while.
No atomizing	The power cord is poorly connected to the outlet	Connect the power cord into the outlet carefully
There is white deposit on objects around the diffuser (salts, separating out from water)	<ol style="list-style-type: none"> 1. Lime deposits have formed on the membrane 2. There are lot of salts in the water used (calcium and magnesium) 	<ol style="list-style-type: none"> 1. Clean the diffuser's membrane with a special brush 2. Use filtered water
Steam has an unpleasant odor	Stale water is used	Clean the unit according to the cleaning and servicing instructions and fill the tank with fresh & pure water
	Remains of stale water or waste have accumulated in the unit's case or the atomizer	
Condensate is formed on the upper part of the diffuser and on surrounding objects, when it is operating.	<ol style="list-style-type: none"> 1. High humidification intensity is set. 2. High room humidity and temperature. 	Lower the humidification intensity by turning the on/off and steam outflow intensity regulator counterclockwise.
Water appears next to the diffuser, when it is operating.	<ol style="list-style-type: none"> 1. High humidification intensity is set. 2. Lime deposits have formed on the membrane and in grooves for water (in the unit's base). 	<ol style="list-style-type: none"> 1. Lower the humidification intensity by turning the on/off and steam outflow intensity regulator counterclockwise. 2. Clean the unit according to the cleaning and servicing instructions.
Water appears/accumulates next to the diffuser	Water tank is leaking	You need to contact an authorized service center

10. TRANSPORTATION AND STORAGE

1. When transporting, any possible impacts and movements of the package inside a vehicle must be avoided.
2. Handling symbols on the unit' s package must be strictly observed when transporting and storing it.

3. Temperature requirements*	Transportation and storage	-30°C to +50°C
Humidity requirements*		15% to 85% (no condensate)

We are researching new technologies and constantly improving the quality of our products.

Specifications, design and scope of delivery may be changed without any prior notice.

- * Products must be stored in dry, ventilated storages at the temperature not lower than -30°C.

10. DISPOSAL

At the end of its service life the diffuser should be utilized in accordance with regulations and procedures, which are in force at the place of utilization.

For any further query please contact: - dr@drtrustusa.com