



# COMPRESSOR NEBULIZER

## Guidebook

Please read this guidebook carefully before operating this unit.

Model NO.: BNWG01



Your Nebulizer is intended for use in the treatment of asthma, COPD and other respiratory ailments in which an aerosolized medication is required during therapy. Please consult with your physician and/or pharmacist to determine if your prescription medication is approved for use with this Nebulizer. This Nebulizer is intended for single patient use.



English



### INDEX

- 1. Introduction -----Page 2
- 2. Product Identification ----- Page 3
- 3. Important Safeguards ----- Page 3
- 4. Operating Your Compressor Nebulizer ----- Page 4
- 5. Cleaning----- Page 5
- 6. Replacement Parts & Optional Accessories----- Page 6
- 7. Specifications ----- Page 6

### INTRODUCTION

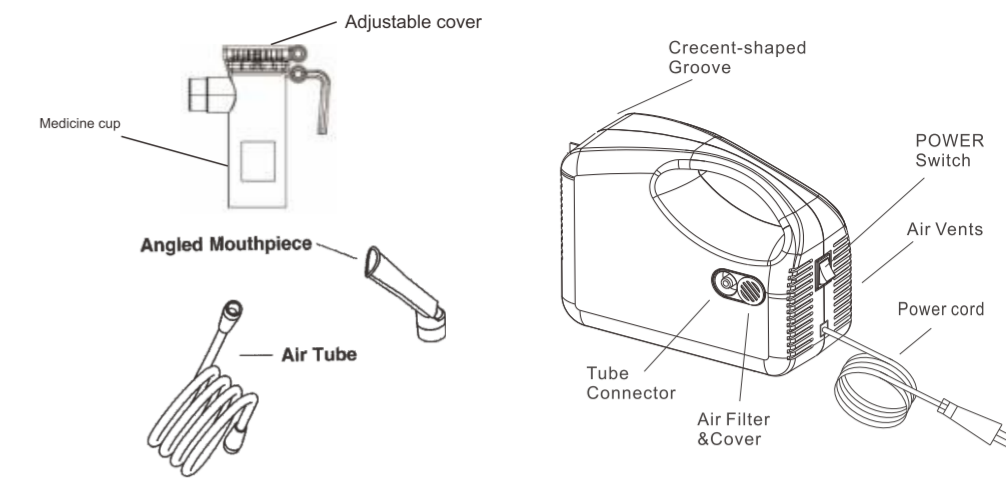
Thank you for purchasing the Compressor Nebulizer. It is a compact medical device designed to efficiently deliver physician prescribed medication to the bronchial lung passages. With proper care and use, it will provide you with many years of reliable treatment.

This product is developed for the successful treatment of asthma, allergies and other respiratory disorders. It creates a stream of air that travels through clear tube to the nebulizer. When air enters the nebulizer, it will convert the prescribed medication into aerosol mist for easy inhalation.

Your Compressor Nebulizer should be used under the supervision of a licensed physician and/or a respiratory therapist. We encourage you to thoroughly read this guidebook to learn about the features of this product. Any use of this product other than its intended use should always be avoided.



### PRODUCT IDENTIFICATION



### IMPORTANT SAFEGUARDS

**Note:** Read all instructions carefully before use. The following basic precautions are needed when using an electrical product: **Caution:** Failure to read and observe all precautions could result in personal injury or equipment damage.

#### Product cautions:

1. To avoid electrical shock: Keep the unit away from water. Do not immerse the power cord or the unit in liquid. Do not use while bathing. Do not reach for a unit that has fallen into water. Immediately unplug the unit.
2. Never operate the unit if it has any damaged parts (including power cord), if it has been dropped or submersed in water. Promptly send it to a service center for examination and repair.
3. The unit should not be used where flammable gas, oxygen or aerosol spray products are being used.
4. Keep the air vents open. Do not place the unit on a soft surface where the openings can be blocked.
5. If the medicine cup is empty, do not attempt to operate the unit.
6. If any abnormality occurs, discontinue use until the unit has been examined and repaired.
7. The unit should not be left unattended while plugged in.
8. Do not tilt or shake the unit when in operation.
9. Disconnect the unit from the electrical outlet before cleaning, filling and after each use.
10. Do not use other attachments unless recommended by manufacturer.



### Operating Cautions:

- Connect this product to an appropriate voltage outlet for your model.
- Do not run this product unattended.
- Never operate if this unit has a damaged cord or plug, if it has been dropped, or in any way, submerged into water, if it does not work properly. Return it to a service center for repair.
- If any abnormality occurs, discontinue use immediately until the unit has been examined and repaired.
- Always unplug the product immediately after use.
- Never block the air openings of the main unit or place it where the air openings may be obstructed.

### Storage Cautions:

- Do not store the unit under direct sunlight, high temperature or humidity.
- Keep the unit out of reach of small children.
- Always keep the unit unplugged while not in use.

### Cleaning Cautions:

- Do not immerse the unit in water. It may damage the unit.
- Disconnect the unit from the electrical outlet before cleaning.
- Clean all necessary parts after each use as instructed in this guidebook.

### OPERATING YOUR COMPRESSOR NEBULIZER

- Note:** Prior to initial operation, the nebulizer should be thoroughly cleaned.
- Place your Compressor Nebulizer on a flat and stable surface. Be sure that you can easily reach the controls when you are seated.
- Gently twist the top part of the nebulizer counter-clockwise to disassemble the nebulizer.
- Fill the bottom section of the nebulizer with the medication prescribed by your physician. Be sure that the cone is put inside the bottom section.
- Gently twist the top part clockwise to reassemble the nebulizer.
- Be sure the two sections fit well.
- Attach one end of air tube to the base of the nebulizer.
- Attach the other end of air tube to the tube connector located on the front of the compressor.
- Attach mouthpiece or mask per your choice to the top section of nebulizer.
- Plug the power cord into an appropriate electrical outlet. Make sure at this stage, the power switch is at "Off" status.
- Press power switch to begin your prescribed treatment.



### Important:

The compressor motor has a thermal protector, which will shut off the unit before the unit is overheated. When the thermal protector shuts the unit off, please:
+ Switch off the unit.
+ Unplug the unit from the electrical outlet.
+ Wait 30 minutes for the motor to cool down before another treatment. Make sure the air openings are not obstructed.
When treatment is finished, shut off the unit and unplug it from the electrical outlet.

### CLEANING

It is recommended that the nebulizer, mouthpiece and mask be thoroughly cleaned with hot water after each use and cleaned with a mild detergent after the last treatment of the day. If your physician or respiratory therapist specifies a different cleaning procedure, follow their instructions.

#### Rinsing (after each treatment):

- Disconnect the air tube, nebulizer, mouthpiece and mask.
- Gently twist the nebulizer to open it.
- Rinse the nebulizer, mouthpiece and mask with water.
- Dry them with clean soft towel or let it air dry.
- Reassemble the nebulizer when completely dry and put these parts in a dry, sealed container.

#### Disinfections:

Please follow the following steps to disinfect your nebulizer unless otherwise specified by your physician. It is suggested that the unit is disinfected after the last treatment of the day.

- Use one part white vinegar with three parts distilled water. Make sure mixed solution is enough to submerge the nebulizer, mouthpiece, and mask.
- Complete Rinsing Steps 1-3.
- Wash nebulizer, mouthpiece and mask in warm water and a mild detergent. Then wash them in hot tap water.
- Submerge these parts in the vinegar and water solution for thirty minutes.
- Complete Rinsing Steps 3-5.

#### Cleaning the compressor:

- Wipe daily with a damp cloth.
- Do not use any powdered cleaners or soap pads, which may damage the finish.

#### Filter change:

- Do not use cotton or any other materials. Do not wash or clean the filter. Only use filters supplied by your distributor. And do not operate without a filter.
- Change the filter every 30 days or when the filter turns gray.
- Changing procedure:
  - + Remove the filter cover.
  - + Replace the used filter with a new one.
  - + Replace the filter cover.



### REPLACEMENT PARTS & OPTIONAL ACCESSORIES

Replacement parts are available through your local retailer or they can be ordered by email: Optional accessories include child mask, nose piece and baby pacifier inhaler. The pacifier inhaler allows baby to receive aerosol treatment easily through normal breath.



### SPECIFICATIONS

Power	220V/50Hz
Current	0.8A
Medication Capacity	8 ml
Particle Size	0.5 to 10 um
Sound Level	≤65dBA
Average Nebulization Rate	≥0.25 ml/min
Compressor Pressure Range	22 to 58 PSI
Liter Flow Range	6.7 lpm
Operating Temperature Range	10°C to 40°C (50°F to 104°F)
Operating Humidity Range	10 to 95% RH
Storage Temperature Range	-20°C to 70°C (-4°F to 158°F)
Dimension	180x150x80mm
Weight	1.18kg
Weight with packing	1.49kg
Standard Accessories	Nebulizer, Air Tube, Adult Mask, Child's Mask Mouthpiece, Filters (5)

Protection against electric shock:
- Class II Equipment
"For any query contact: customercare@nureca.com"